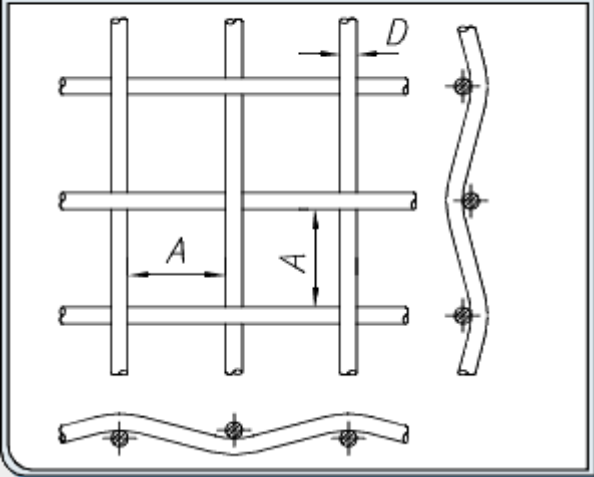


Wzór	A [mm]	D [mm]
	<b>5 do 200</b>	<b>1,0 do 4,5</b>